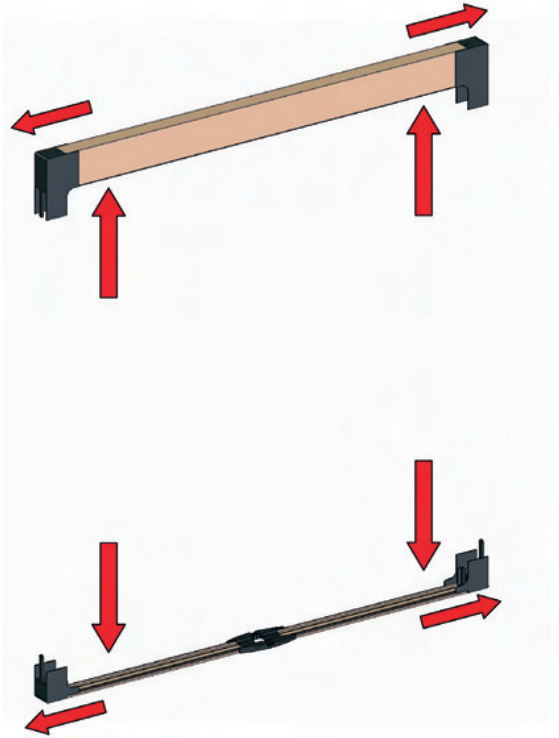




#### TRACKS INSTALLATION

## 01

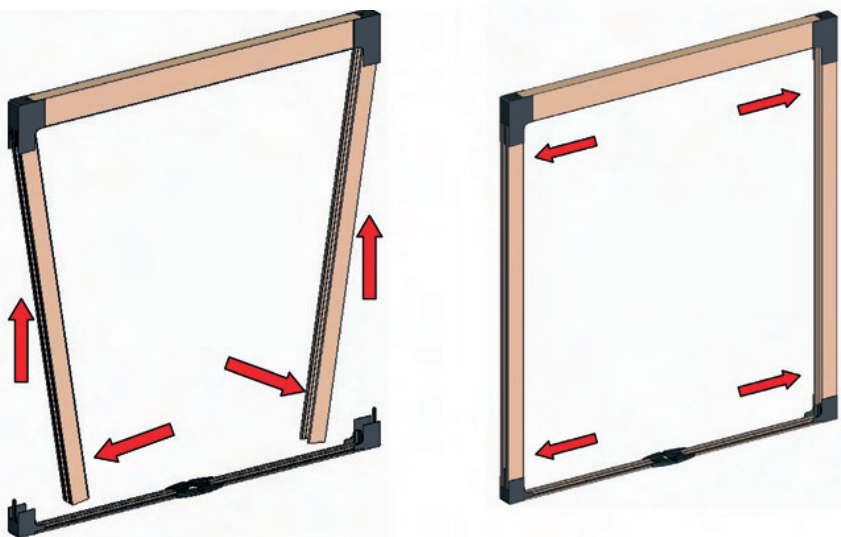
- Remove the protective backing from the double-sided tape and attach the tracks.
- Correct for any skew by sliding the corner pieces.



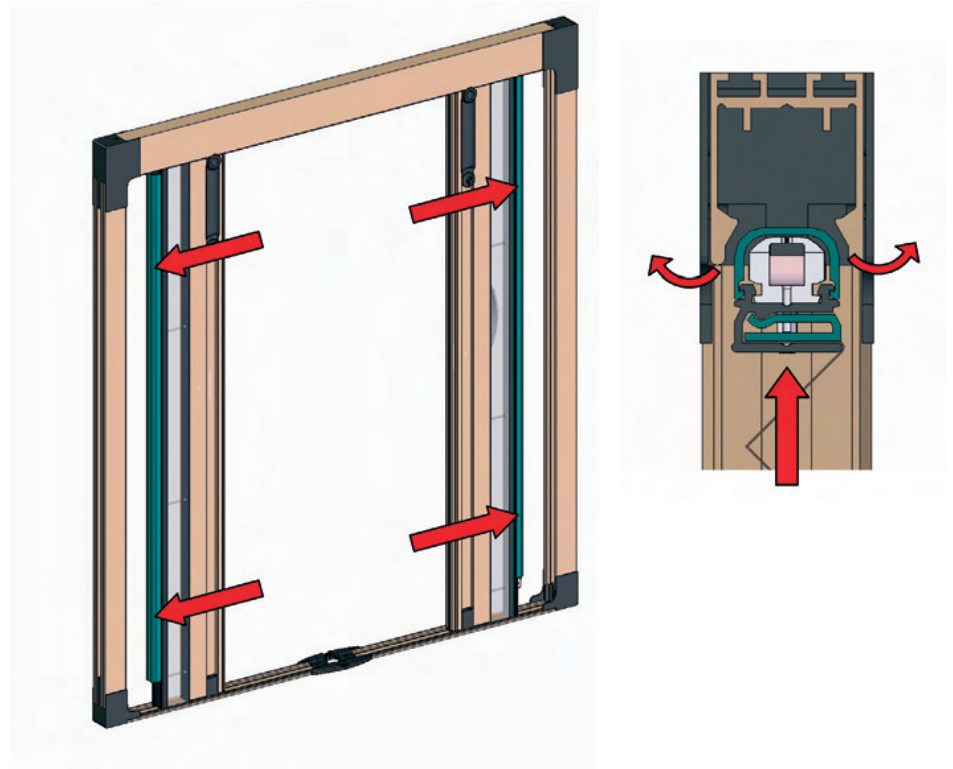
#### START TRACK INSTALLATION

## 02

- Insert the starting vertical profiles into the locations on the corner pieces, first at the top, and then at the bottom.
- Drill the fixing holes (corresponding to the holes on the vertical profile).
- Fasten using the screws supplied.



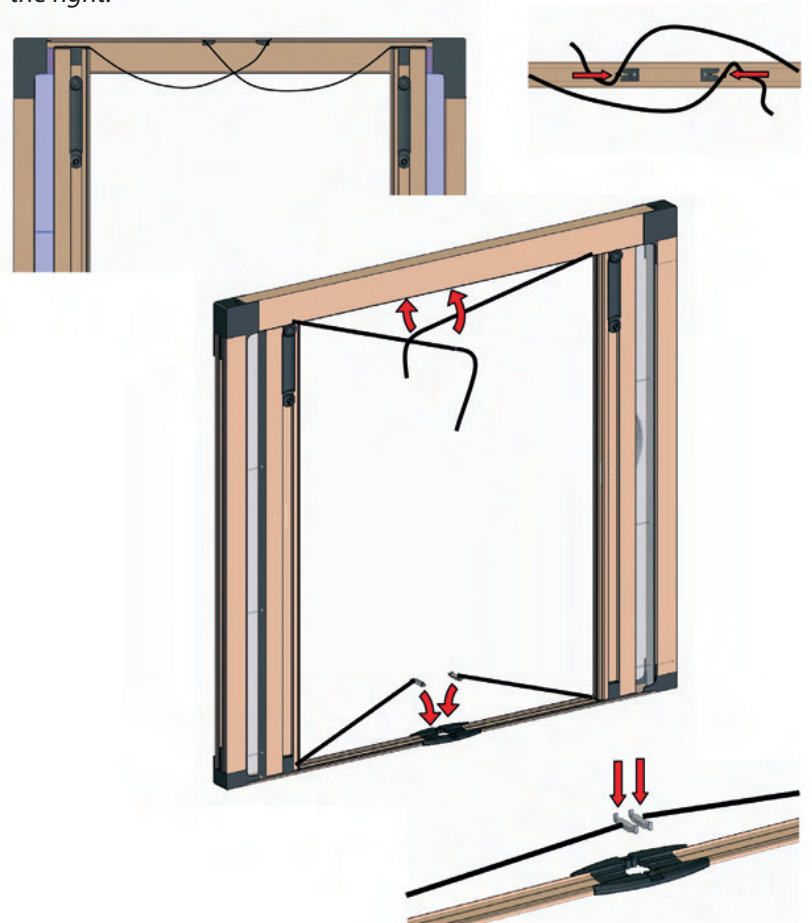
- Insert the two pleated screen packs into the tracks.
- Move the two screen packs towards their respective starting profiles.
- Insert the two screen packs into the starting profiles until they are snap-locked into place.



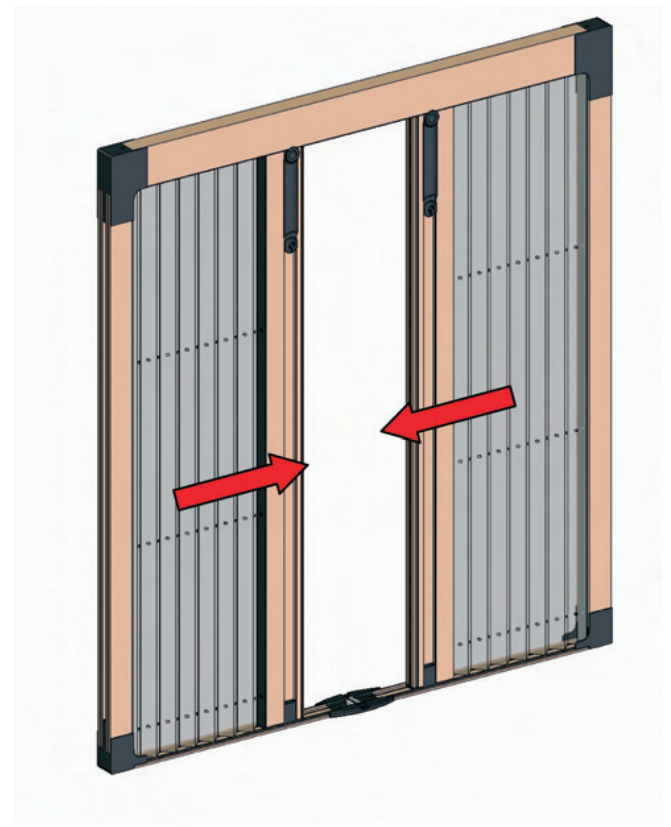
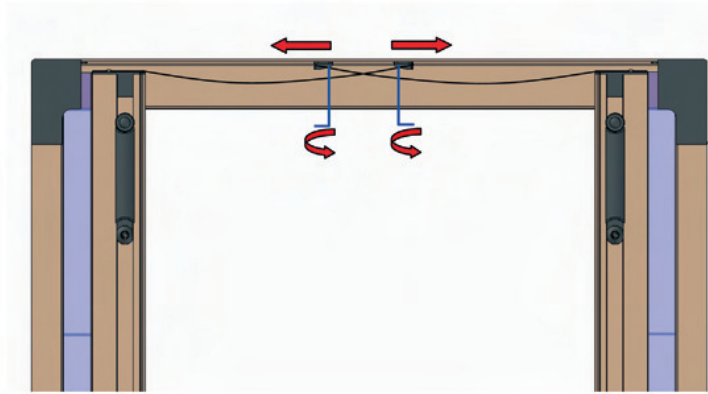
#### INSERTING THE CORD STOPS

## 04

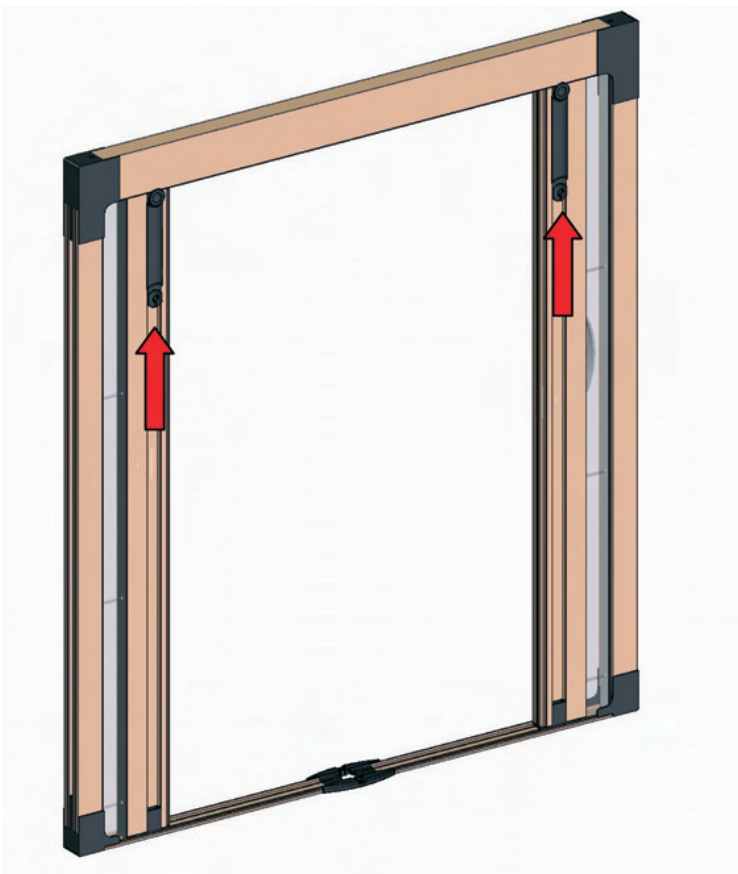
- At the bottom, insert the cord stops into their locations on the central accessory.
- At the top, insert the knot on the cords into the respective location on each cursor. The cords from the right are inserted into the cursor furthest to the left, and the cords from the left are inserted into the cursor furthest to the right.



- Using the key supplied, unscrew the screw on the cursors.
- Tighten the cords by sliding each cursor, and then tighten the screws.
- Cut excess cord length after having completed adjustment.



- Bring the guides up to the top track.
- Apply light pressure to the guides, so that the spring is in action.
- Tighten the fixing screw.



- Insert the cap supplied to hide the knot.

